

## **Pneumatic tool set 4pcs - 32 piece set**



### **Instructions for use**

**Translation of the original instructions**

## KEEP THIS MANUAL

This document contains safety and operating instructions and warranty information.

Keep the document together with the proof of purchase in a dry place.



**WARNING:** Before using the unit, read this manual and follow the instructions for safe operation of the unit.

### IMPORTANCE:

After purchasing the appliance, read this manual and follow the instructions for safe operation of the appliance. Keep this document for future reference.

### OPERATIONAL AND SAFETY INFORMATION

Pneumatic tools work at different working pressures. The recommended pressure for most equipment is 6 bar.

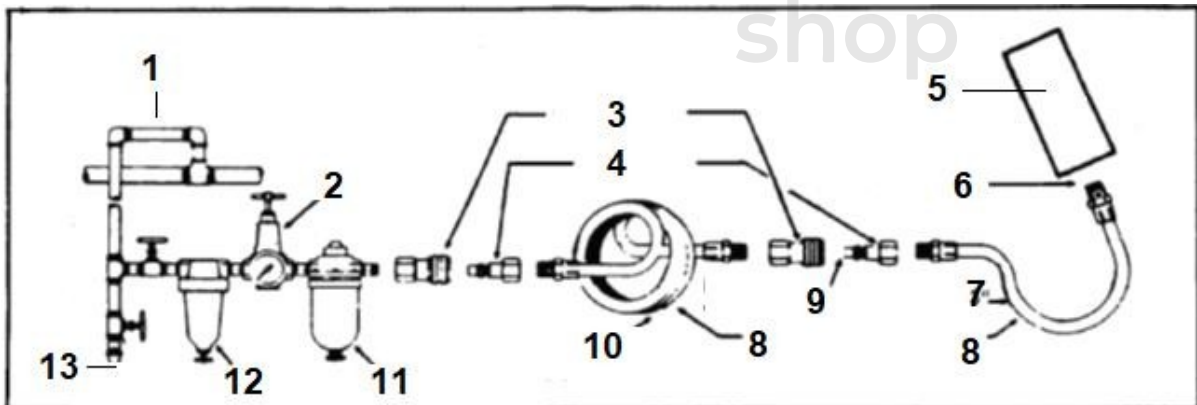
Higher pressures reduce tool life due to high loads.

Water in the compressed air supply can cause damage to the equipment. Therefore, it is necessary to remove water from the compressor or piping regularly! Clean the air filter at least once a week.

### Commissioning and maintenance of pneumatic tools

When manufacturing our pneumatic tools, we have tried to design the tools to consume as little air as possible. Pneumatic tools can be run with a compressor with a suction capacity of up to 230 litres in certain circumstances. Ideal performance is provided by a compressor with a suction capacity of 300 - 400 litres. We therefore recommend using compressors from the 300/11/40, 400/11/50, 400/11/60, 600/11/60, 600/11/90 and larger series.

In particular, we recommend the use of the compressor 631/10/90, 380 V, 10 bar. All pneumatic tools can be operated with this compressor without restriction.



1. Pneumatic piping
2. Pressure regulator
3. Couplings 3/8"
4. 3/8" end cap
5. Tool
6. No quick coupling directly in the machine
7. Front hose 3"
8. Special pneumatic piping. To prevent pressure drop, use the shortest possible line
9. Lubricate daily with oil
10. Pneumatic piping
11. Lubrication equipment
12. Filter
13. Remove water daily

The following information must be observed before using air tools.

1. Pneumatic tools should only be operated with the lubrication device running.
2. A pressure reducing valve must be fitted on the compressor (all compressors are fitted with a pressure reducing valve).
3. A water filter must be fitted before the lubrication device is installed.
4. The maximum operating pressure of the air tool is 6 bar. If you set the pressure reducing valve above 6 bar, the air tool may be overloaded.
5. If you do not use the machine for a long time, it is recommended to clean and oil the air tools thoroughly. When restarting, add a small amount of oil to the air tool connector and then run the machine with the lubrication device switched on. Some units allow infinitely variable speed and power control. This adjustment is made using the screw next to the air source connection.

## RICE KEY

### Technical data

Power	~0.34 KW
Maximum unscrewing torque	310 Nm
Maximum screwdriving torque	250 Nm
Revolutions	7000 rpm.
Capacity (maximum thread size)	M 16
Maximum permissible operating pressure	6 Bar
Noise level	89 db (A)
Vibration level	<2,5 m/s <sup>2</sup>
Square buckle	1/2
Air consumption	Approximately. 6 l/s
Recommended inner part of the hose	9 mm
Weight	2,3 kg
Air consumption at maximum torque	Approximately. 350 l/min

### Air quality:

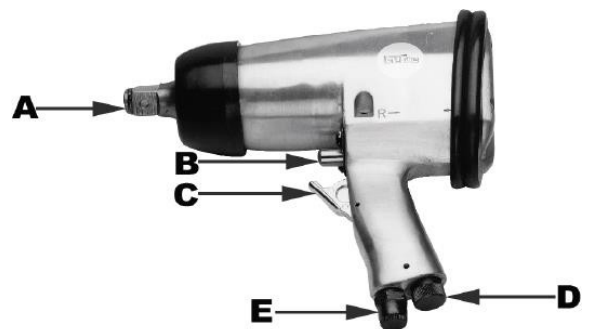
The air supplied to the unit must be clean.

### Adjustment:

The operating pressure set at the pressure reducing valve is 6 bar.

## Description

- | No. | Description             |
|-----|-------------------------|
| A   | Screw locking component |
| B   | Directional switch      |
| C   | Release lever           |
| D   | Air or torque regulator |
| E   | Pneumatic connector     |



## Purpose of the device

These pneumatic tools are designed for tightening and loosening bolts on cars (e.g. for mounting tyres, loosening chassis bolts) and for various assembly and disassembly work in agriculture.

The air is discharged through an outlet on the side. Installation of the accessories is quick and very easy. The pneumatic connector is equipped with a quick coupler. Care must be taken when tightening the bolts and nuts.

### **The following instructions should be observed:**

Wear suitable protective clothing when working with the equipment. Safety regulations must be observed.

## Security

Protect yourself and your surroundings by taking all measures to prevent accidents.

- The equipment must not be used for purposes other than those for which it is intended.
- Pneumatic tools should be kept out of the reach of children.
- The device may only be used when the user is fully focused and relaxed.
- The operating pressure must be adjusted using the control valve.
- Neither oxygen nor gaseous fuel shall be used to power the equipment.
- Disconnect the equipment from the compressed air supply before carrying out repairs.
- Use only original spare parts.
- Do not allow the unit to run at full speed with no load.
- Wear suitable protective clothing when operating the unit.

## Start

Screw the pneumatic connector onto the fitting (E) and fix it with Teflon tape. Fit the handle onto the unit (A). Set the correct direction of rotation on the switch lever (B):

Moving backwards = loosening bolts

Moving forwards = tightening bolts

Fit the handle. Pull the trigger (C). The air supply can be regulated using the air regulator (D).

Mark 9 = maximum tightening torque (4)

Mark 0 = minimum tightening torque (1) A flexible air hose with quick coupling is used to connect the compressed air supply.

## Maintenance

By following the maintenance instructions, you will ensure a long service life of the appliance as well as product quality and trouble-free operation. Disconnect the air supply before performing any maintenance. To ensure trouble-free operation and performance, the appliance should be cleaned daily and lubricated regularly. For this purpose, use a lubricant designed for pneumatic equipment only.

### **a) Use of lubrication equipment**

Install the lubrication device in the unit's piping system close to the unit (a distance of approximately 50 cm). The lubrication device provides the correct amount of lubricant. If the impact wrench is not used for a long period of time, apply 5-10 drops of oil to the pneumatic connector.

### **b) Manual lubrication**

If the impact wrench is not equipped with a maintenance or lubrication device, lubricate the pneumatic connector with 3-5 drops of special lubricant before each start-up. Pneumatic equipment should be stored in a dry room.

## Pneumatic chisel

Never point the device towards yourself or other persons. The appliance must be connected to an air supply.

### Technical data

Connection thread	1/4"
Operating pressure	6 bars
Air consumption	350 l/min
Sound power level L <sub>WAI max.c</sub>	103 dB (A)
Noise level at the workplace L <sub>PAI max.</sub>	93 dB (A)
Maximum level sound pressure L <sub>PAI max. 1m</sub>	90 dB (A)
Number of strikes	3000/min

### Maintenance

#### Maintenance should be carried out by suitably qualified persons.

By following the maintenance instructions, you will ensure a long service life of the appliance as well as product quality and trouble-free operation. Disconnect the air supply before performing any maintenance. To ensure trouble-free operation and performance, the appliance should be cleaned daily and lubricated regularly. For this purpose, use a lubricant designed for pneumatic equipment only.

#### (a) Use of lubrication equipment

Install the lubrication device in the unit's piping system close to the unit (a distance of approximately 50 cm). The lubrication device provides the correct amount of lubricant. If the chisel is not used for a long time, apply 5-10 drops of oil to the pneumatic connector.

#### b) Manual lubrication

If the chopper is not equipped with a maintenance or lubrication device, lubricate the pneumatic connector with 3-5 drops of special lubricant before each start-up. Pneumatic equipment should be stored in a dry room.

#### Attention:

Replace the spring from time to time (1)

## Screwdriver with ratchet

### Technical data

Idling speed	160 rpm
Power	0.272 kw
Maximum unscrewing torque	40 Nm
Capacity (maximum thread size)	M8
Maximum permissible operating pressure	6 bars
Noise emissions according to DIN 45635 part 20/09.90	
Sound power level L <sub>WAI max.c</sub>	103 dB (A)
Noise level at the workplace L <sub>PAI max.</sub>	93 dB (A)
Maximum sound pressure level L <sub>PAI max. 1m</sub>	90 dB (A)
Vibration according to DIN EN 28662 part 1/01.93 or E DIN ISO 8662 part 1/01.93	14.7 m/s <sup>2</sup>
Square buckle	1/2
Air consumption	Approximately. 310 l/min
Recommended inner part of the hose	6 mm
Weight	1,24 kg

Air quality:

The air supplied to the unit must be clean.


Compressor capacity: capacity: 180 l/min. 1.5 kW equivalent

Adjustment:

The operating pressure set at the pressure reducing valve is 6 bar.

## Construction

No.	Description
040	Release lever
170	Drive
390	Change direction
430	Pneumatic connector



## Purpose of the device

This pneumatic tool is designed for tightening and loosening bolts on cars and for various assembly and disassembly work in agriculture.

The air is discharged through the outlet at the front. The device is ideal for working in hard-to-reach places. Installation of accessories is quick and very easy. The pneumatic connector is equipped with a quick coupler. Care must be taken when tightening bolts and nuts.

## Security

Protect yourself and your surroundings by taking all measures to prevent accidents.

- The appliance must not be used for purposes other than those for which it is intended.
- It is forbidden to touch moving parts of the equipment.
- Pneumatic tools should be kept out of the reach of children.
- The device should only be used when the user is fully focused and relaxed.
- The operating pressure must be adjusted using the control valve.
- Neither oxygen nor gaseous fuel shall be used to power the equipment.
- Disconnect the equipment from the compressed air supply before carrying out repairs.
- Use only original spare parts.
- Do not allow the unit to run at full speed with no load.
- Wear suitable protective clothing when operating the unit.

## Start

The coupling (430) should be screwed onto the reducing fitting. A ring or socket wrench should be used for this purpose. Note: the thread must be fixed with Teflon tape.

Put the handle on the unit (170). Connect the air hose to the fitting using the quick coupler. Fit the handle onto the screw. Set the desired direction of rotation on the control lever (390) and release lever (040).

### Maintenance should be carried out by suitably qualified persons.

By following the maintenance instructions, you will ensure a long service life of the appliance as well as product quality and trouble-free operation. Disconnect the air supply before performing any maintenance. To ensure trouble-free operation and performance, the appliance should be cleaned daily and lubricated regularly. For this purpose, use a lubricant designed for pneumatic equipment only.

#### a) Use of lubrication equipment

Install the lubrication device in the unit's piping system close to the unit (a distance of approximately 50 cm). The lubrication device provides the correct amount of lubricant. If the ratchet screwdriver is not used for a long time, apply 5-10 drops of oil to the pneumatic connector.

#### b) Manual lubrication

If the ratchet screwdriver is not equipped with a maintenance or lubrication device, lubricate the pneumatic connector with 3-5 drops of special lubricant before each start-up. Pneumatic equipment should be stored in a dry room.

## Pneumatic grinder

Never point the device towards yourself or other persons. The appliance must be connected to an air supply.

## Technical data

Square buckle	1/4"
Operating pressure	6 bars
Air consumption	Approximately. 350 l/min
Sound power level L WAI max.c	103 dB (A)
Noise level at the workplace L PAI max.	93 dB (A)
Maximum sound pressure level L PAI max. 1m	90 dB (A)
Number of revolutions	22 000 rpm.

## Maintenance

### Maintenance should be carried out by suitably qualified persons.

By following the maintenance instructions, you will ensure a long service life of the appliance as well as product quality and trouble-free operation. Disconnect the air supply before performing any maintenance. To ensure trouble-free operation and performance, the appliance should be cleaned daily and lubricated regularly. For this purpose, use a lubricant designed for pneumatic equipment only.

#### a) Use of lubrication equipment

Install the lubrication device in the unit's piping system close to the unit (a distance of approximately 50 cm). The lubrication device provides the correct amount of lubricant. If the grinder is not used for a long time, apply 5-10 drops of oil to the pneumatic connector.

#### b) Manual lubrication

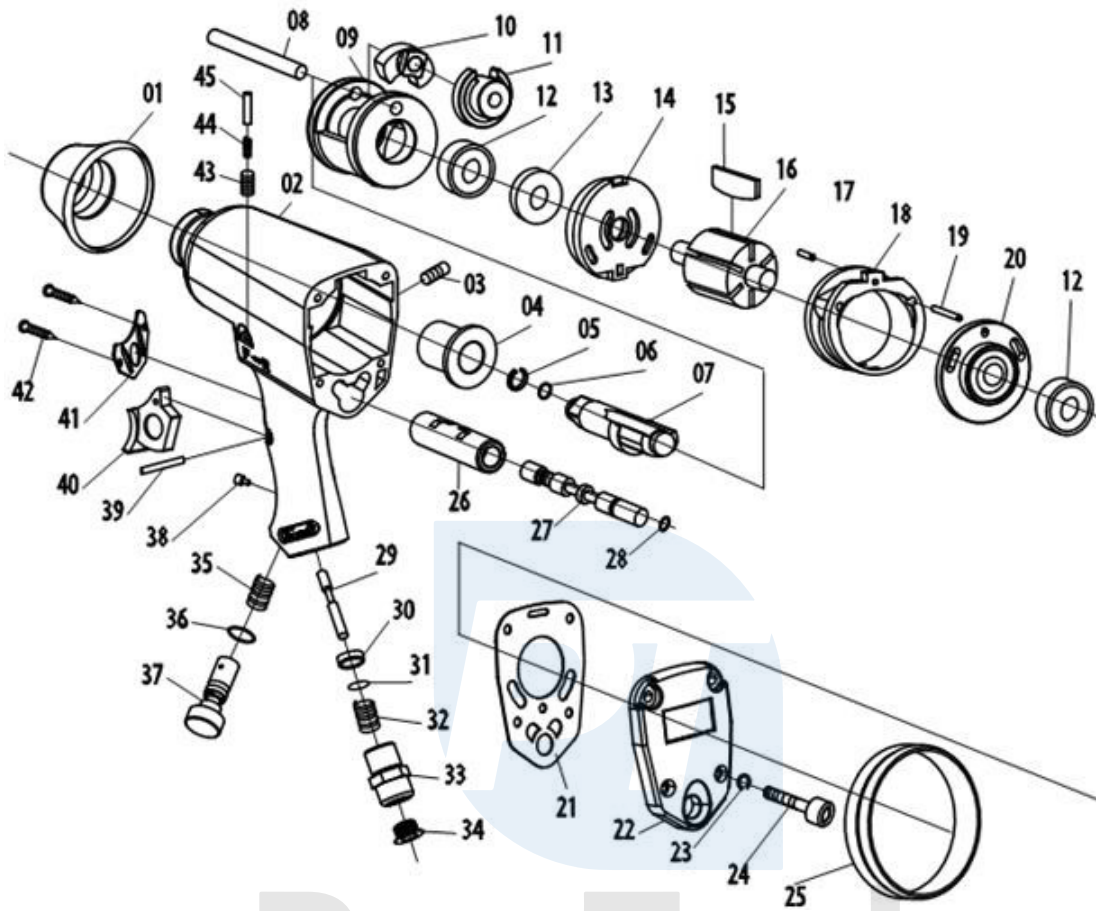
If the grinder is not equipped with a maintenance or lubrication device, lubricate the pneumatic connector with 3-5 drops of special lubricant before each start-up. Pneumatic equipment should be stored in a dry room.

## **Environmental protection**



Electrical products must not be disposed of with household waste. They must be disposed of in designated recycling facilities. For information on how to dispose of electrical appliances, contact your local authority.

## LX-2060 parts list and design

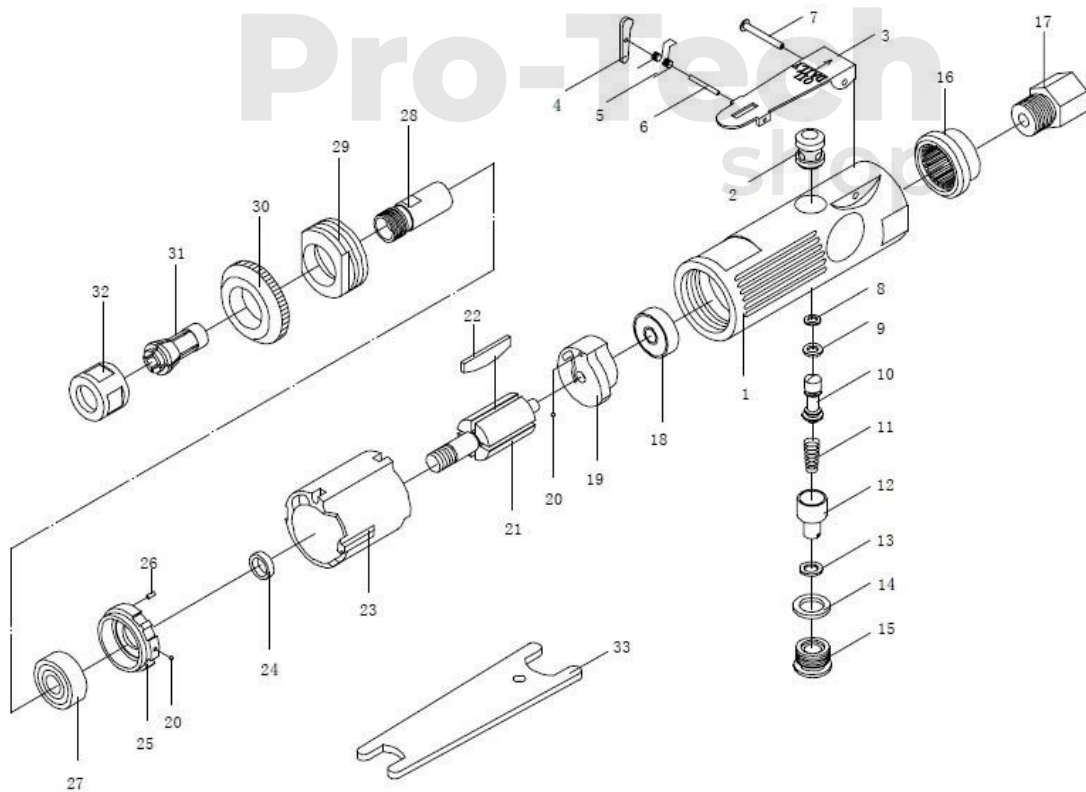


NR	DESCRIPTION	NR	DESCRIPTION	NR	DESCRIPTION
01	Protective rubber	16	Rotor	31	Component facilities
02	Body	17	Component facilities	32	Spring
03	Screw	18	Roller	33	Inlet plug air
04	Case	19	Screw	34	Cover
05	Ring	20	Plate	35	Spring
06	o-ring	21	Seal	36	o-ring
07	Component facilities	22	Back cover	37	Air regulator
08	Component facilities	23	Pad	38	Screw



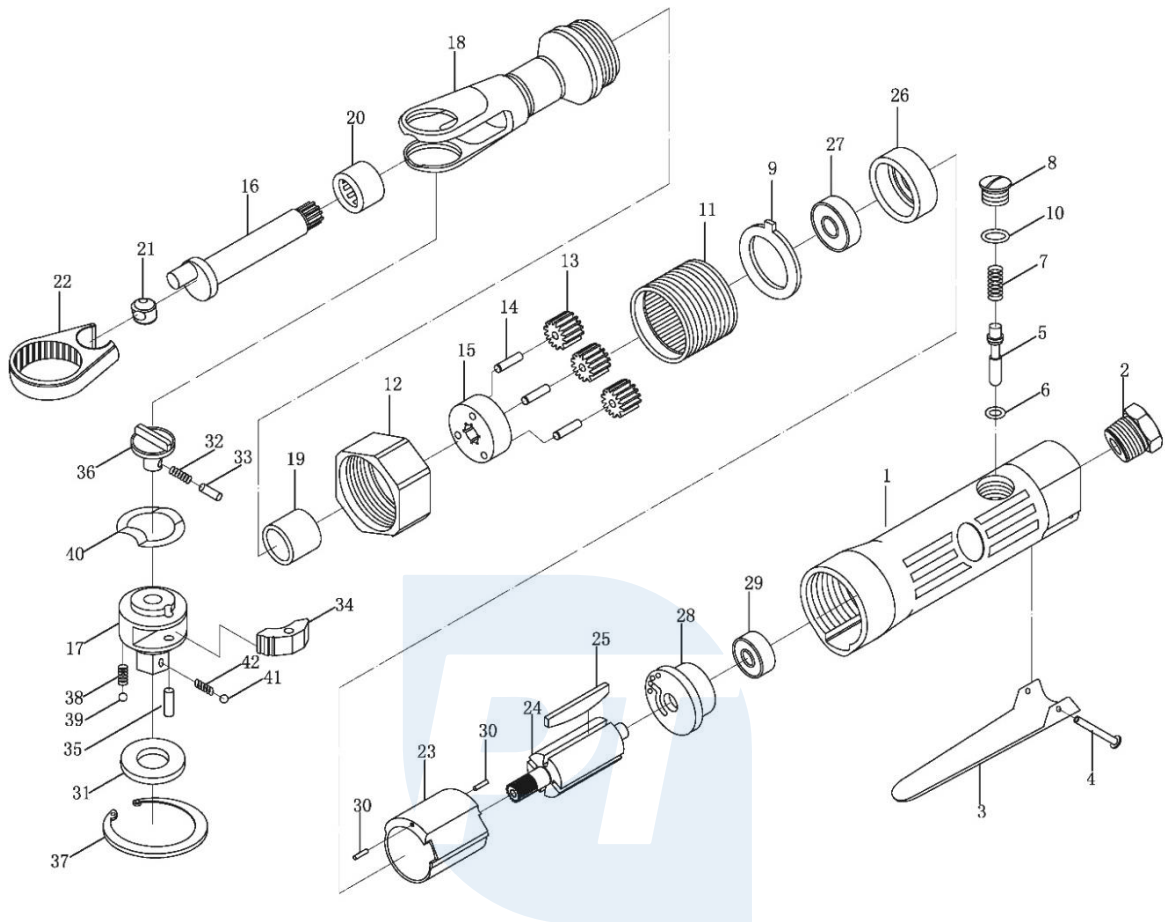
09	Component facilities	24	Screw	39	Component facilities
10	Component facilities	25	Protective rubber	40	Drainage
11	Component facilities	26	Case	41	Cover
12	Bearing	27	Valve	42	Screw
13	Seal	28	o-ring	43	Screw
14	Plate	29	Component facilities	44	Spring
15	Rotor blade	30	Pad	45	Component facilities

## LX-1020 parts list and design



NR	DESCRIPTION	NR	DESCRIPTION	NR	DESCRIPTION
01	Body	02	Component facilities	03	Drainage
04	Lever	05	Spring	06	Component facilities
07	Component facilities	08	o-ring	09	o-ring
10	Component facilities	11	Spring	12	Air regulator
13	o-ring	14	o-ring	15	Stopper
16	Cover	17	Air supply	18	Bearing
19	Plate	20	Component facilities	21	Rotor
22	Rotor blade	23	Roller	24	Case
25	Front panel	26	Component facilities	27	Bearing
28	Component facilities	29	Component facilities	30	Cover
31	Component facilities	32	Screw	33	Key

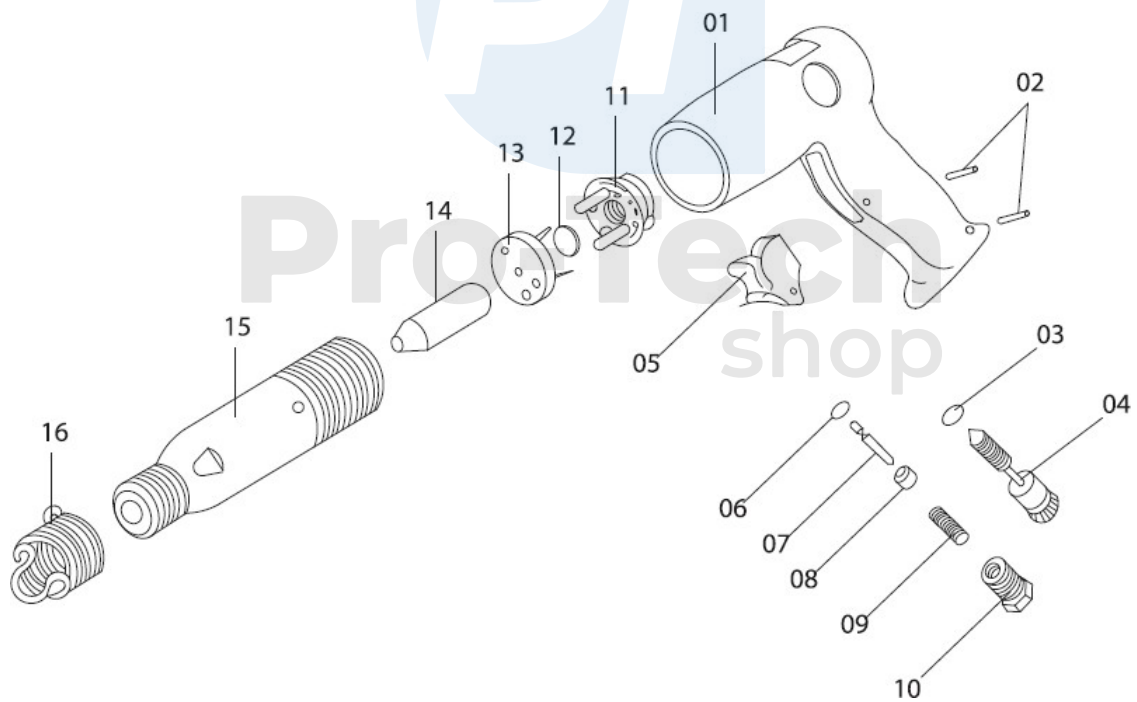
## LX-2050 parts list and design



NR	DESCRIPTION	NR	DESCRIPTION	NR	DESCRIPTION
01	Body	02	Air supply	03	Drainage
04	Component facilities	05	Component facilities	06	o-ring
07	Spring	08	Stopper	09	Pad
10	o-ring	11	Component facilities	12	Screw
13	Component facilities	14	Component facilities	15	Component facilities
16	Crankshaft	17	Component facilities	18	Body
19	Case	20	Bearing	21	Component facilities
22	Component facilities	23	Roller	24	Rotor

25	Rotor blade	26	Front panel	27	Bearing
28	Rear panel	29	Bearing	30	Component facilities
31	Pad	32	Spring	33	Component facilities
34	Component facilities	35	Component facilities	36	Handle
37	Ring	38	Spring	39	Component facilities
40	Pad	41	Component facilities	42	Spring

### LX-3050 parts list and design



NR	DESCRIPTION	NR	DESCRIPTION	NR	DESCRIPTION
01	Housing, handle	02	Component facilities	03	o-ring, regulator
04	Regulator	05	Drainage	06	o-ring,
07	Component facilities	08	Component facilities	09	Spring, throttle
10	Case	11	Component facilities	12	Valve
13	Component facilities	14	Piston	15	Component facilities
16	Spring				



Pro-Tech  
shop